

Guardian Securistay Window Restrictor



ASSA ABLOY, the global leader
in door opening solutions.



The all-new Guardian Securistay is a window restrictor that provides ventilation for at-home security.

Designed for use with projected top-hung windows, the Guardian Securistay limits the sash opening to less than 100mm. This allows for more secure ventilation and provides child safety, particularly in multi-storey buildings. It is suitable for pivoting timber or aluminium sashes.

Features

- To guard against injury caused by falling, the opening is restricted to less than 100mm, in accordance with NZ BC Acceptable Solution F4/AS1
- Modern, low-profile design is unobtrusive and complements your home interior
- As a security feature, the restrictor can only be released when the window is fully shut. This is easy to do using the release tool provided
- The restrictor automatically re-engages when the window is closed again
- Provides additional sash control in windy situations
- Designed and manufactured in New Zealand
- Animations are available to view at www.yalelock.co.nz/guardian

Options

- Aluminium version
- Timber version
- Available in a range of colours to complement any window design and finish

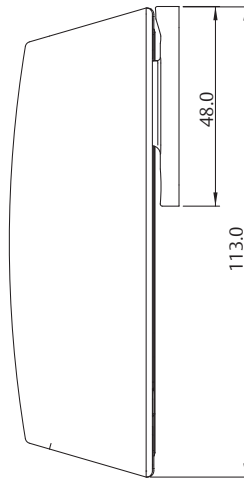
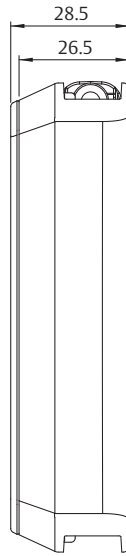
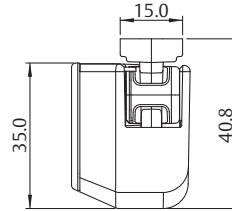
* Aluminium Securistay option shown

Guardian Securistay

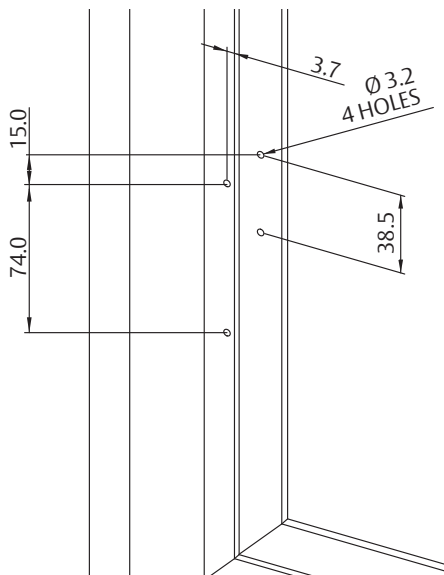
Window Restrictor



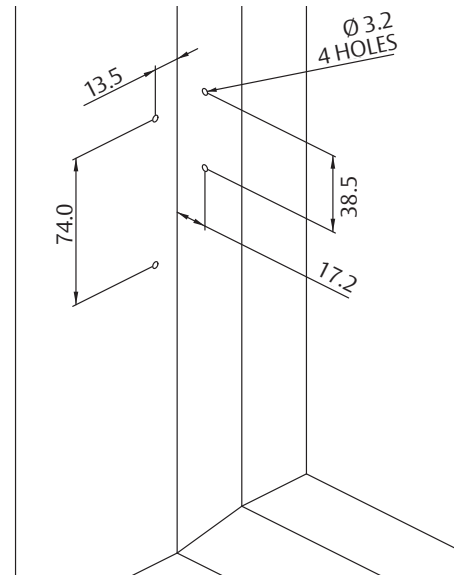
Aluminium & Timber



Aluminium



Timber



EXP-FY-084-0412NZ